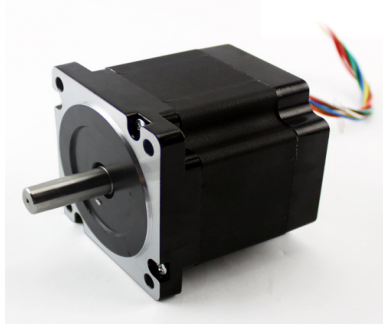


Model: NEMA34 Stepper motor-SM86H3P(1.2degree)



General Specification:

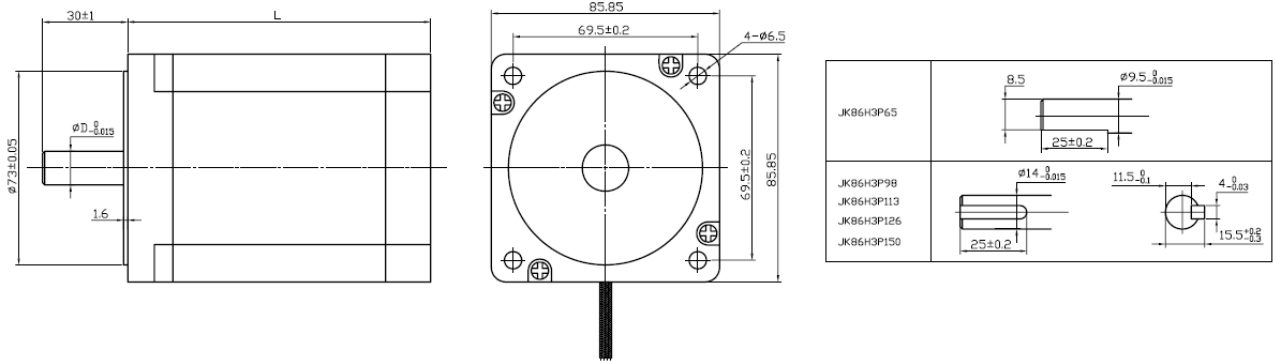
Step Accuracy ----- ±5%
 Resistance Accuracy ----- ±10%
 Inductance Accuracy ----- ±20%
 Temperature Rise ----- 80°C MAX.
 Ambient Temperature Range ----- -20°C~ +50°C
 Storage Temperature Range ----- -30°C~ +60°C
 Insulation Resistance ----- 100M Ω MIN. 500V DC
 Dielectric Strength ----- 500V AC 1min
 Radial Play ----- 0.02mm MAX. (450g Load)
 End Play ----- 0.08mm MAX. (450g Load)
 Max. radial force ----- 220N
 Max. axial force ----- 60N

Electrical Specification:

Model No.	Step Angle	Motor Length	Current /Phase	Resistance /Phase	Inductance /Phase	Holding Torque	Rotor Inertia	Motor Weight
	(°)	(L)mm	A	Ω	mH	N.m	g.cm ²	Kg
SM86H3P65-3006	1.2	65	3	0.5	1.6	2	1100	1.65
SM86H3P98-5206	1.2	98	5.2	0.6	3	4.5	2320	2.70
SM86H3P113-5206	1.2	113	5.2	0.9	5.9	6	3100	3.50
SM86H3P150-5006	1.2	150	5.0	1.5	3	7	4650	5.10

***Note:** We can also manufacture products according to customer's requirements.

Dimensions:
(Unit=mm)



Wiring Diagram:

