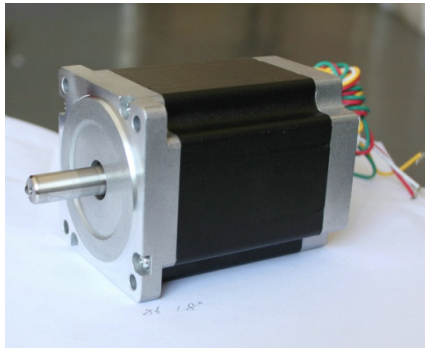


Model: NEMA34 Stepper motor-SM86HS (1.8degree)



General Specification:

Step Accuracy ----- $\pm 5\%$
 Resistance Accuracy ----- $\pm 10\%$
 Inductance Accuracy ----- $\pm 20\%$
 Temperature Rise ----- 80°C MAX.
 Ambient Temperature Range ----- -20°C~ +50°C
 Storage Temperature Range ----- -30°C~ +60°C
 Insulation Resistance ----- 100M Ω MIN. 500V DC
 Dielectric Strength ----- 500V AC 1min
 Radial Play ----- 0.02mm MAX. (450g Load)
 End Play ----- 0.08mm MAX. (450g Load)
 Max. radial force ----- 220N
 Max. axial force ----- 60N

Electrical Specification:

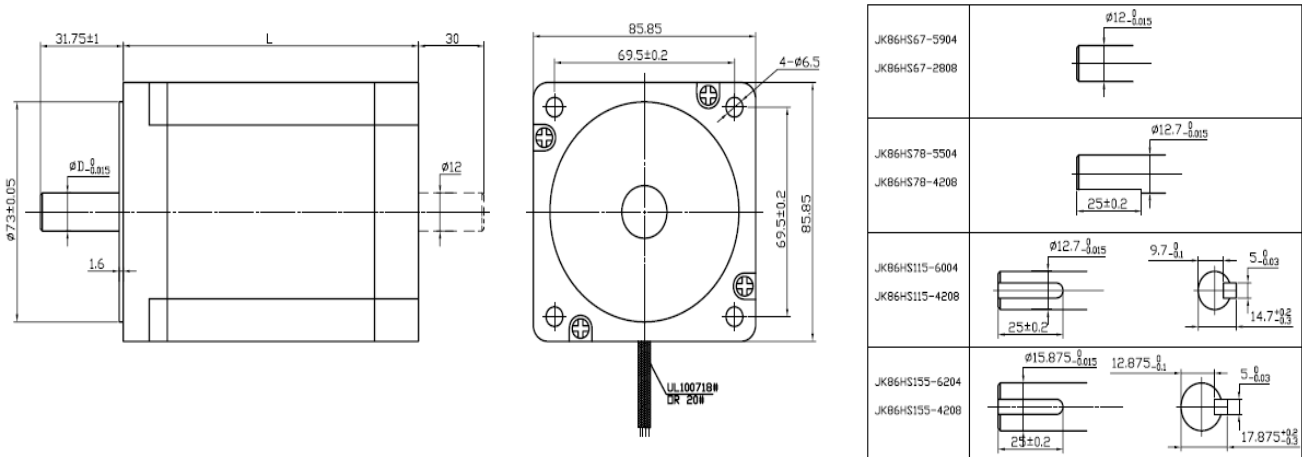
Model No.	Step Angle	Motor Length	Current /Phase	Resistance /Phase	Inductance /Phase	Holding Torque	Lead wires	Detent Torque	Rotor Inertia	Motor Weight
	($^{\circ}$)	(L)mm	A	Ω	mH	N.m	No.	Kg.cm	$g.cm^2$	Kg
SM86H66-5904	1.8	66	5.9	0.28	1.7	3.4	4	0.8	1000	1.7
SM86H66-2808	1.8	66	2.8	1.4	3.9	3.4	8	0.8	1000	1.7
SM86H78-5504	1.8	78	5.5	0.46	4	4.6	4	1.2	1400	2.3
SM86H78-4208	1.8	78	4.24	0.75	3.4	4.6	8	1.2	1400	2.3
SM86H97-4008	1.8	97	4	0.98	4.1	6.8	8	1.6	1900	3
SM86H97-5008	1.8	97	5	0.65	2.4	6.8	8	1.6	1900	3
SM86H97-2708	1.8	97	2.7	1.9	8.6	6.8	8	1.6	1900	3
SM86H115-6004	1.8	115	6	0.6	6.5	8.7	4	2.4	2700	3.8
SM86H115-4208	1.8	115	4.2	0.9	6	8.7	8	2.4	2700	3.8
SM86H126-4008	1.8	126	4	1.3	5.8	9.3	8	3.0	3200	4.5
SM86H126-5008	1.8	126	5	0.85	3.4	9.3	8	3.0	3200	4.5

Spark Motors Pvt Ltd

SM86H126-2708	1.8	126	2.7	2.5	12.5	9.3	8	3.0	3200	4.5
SM86H155-6204	1.8	153	6.2	0.75	9	12	4	3.6	4000	5.4
SM86H155-4208	1.8	153	4.2	1.25	8	12	8	3.6	4000	5.4

* **Note:** We can also manufacture products according to customer's requirements.

Dimensions: (Unit= mm)



Wiring Diagram:

