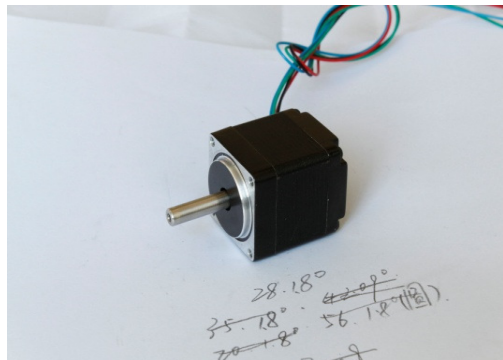


Model: NEMA11 Stepper motor-SM28HS(1.8 degree)



General Specification:

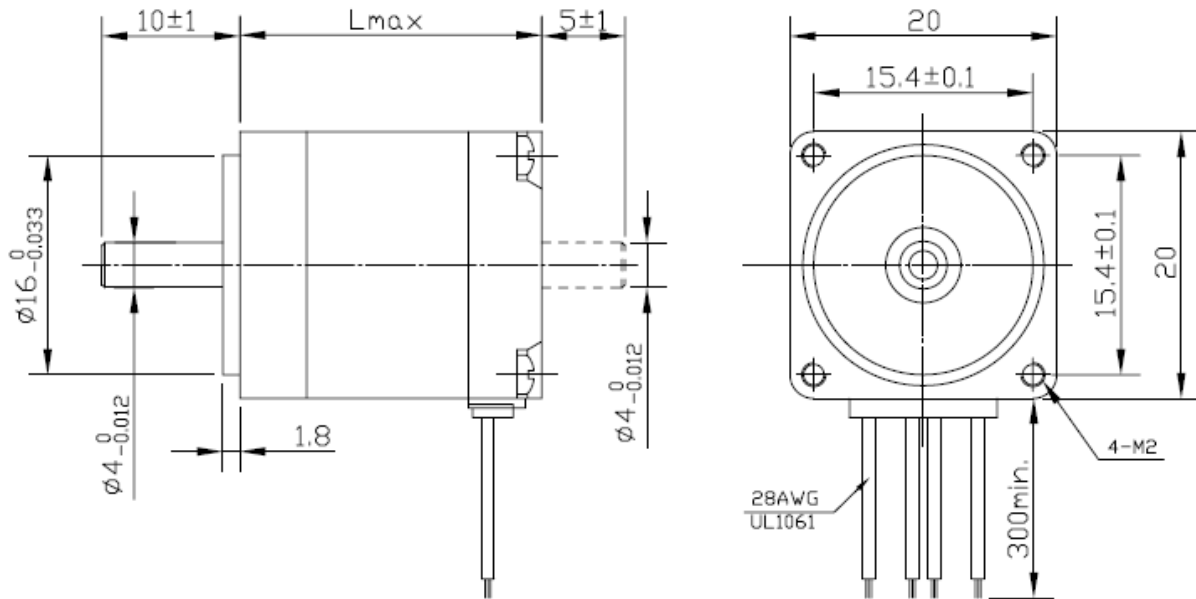
Step Accuracy	±5%
Resistance Accuracy	±10%
Inductance Accuracy	±20%
Temperature Rise	80°C MAX.
Ambient Temperature Range	-20°C~ +50°C
Storage Temperature Range	-30°C~ +60°C
Insulation Resistance	100M Ω MIN. 500V DC
Dielectric Strength	500V AC 1min
Radial Play	0.02mm MAX. (450g Load)
End Play	0.08mm MAX. (450g Load)
Max. radial force	28N
Max. axial force	10N

Electrical Specification:

Model No.	Step Angle	Motor Length	Current /Phase	Resistance /Phase	Inductance /Phase	Holding Torque	Lead wires	Rotor Inertia	Motor Weight
	(°)	(L)mm	A	Ω	mH	g.cm	No.	g.cm ²	Kg
SM28HS32-0956	1.8	32	0.95	2.8	0.8	430	6	9	0.11
SM28HS32-0674	1.8	32	0.67	5.6	3.4	600	4	9	0.11
SM28HS45-0956	1.8	45	0.95	3.4	1.2	750	6	12	0.14
SM28HS45-0674	1.8	45	0.67	6.8	4.9	950	4	12	0.14
SM28HS51-0956	1.8	51	0.95	4.6	1.8	900	6	18	0.2
SM28HS51-0674	1.8	51	0.67	9.2	7.2	1200	4	18	0.2

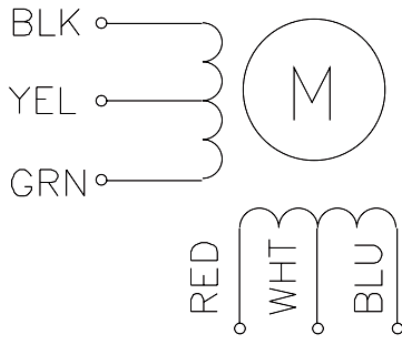
***Note:** We can also manufacture products according to customer's requirements.

Dimensions:
(Unit= mm)



Wiring Diagram:

6 LEADS



4 LEADS

