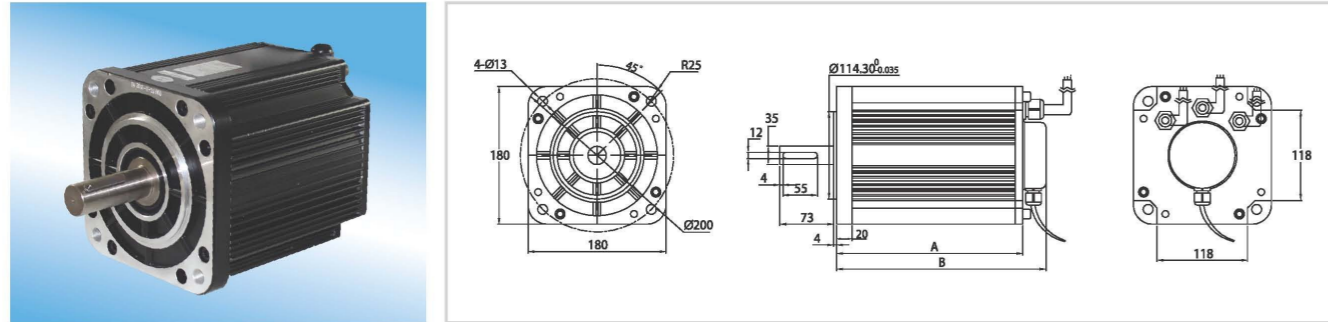


### 180WD-M(2)

180WD-M(2) series dc brushless motor



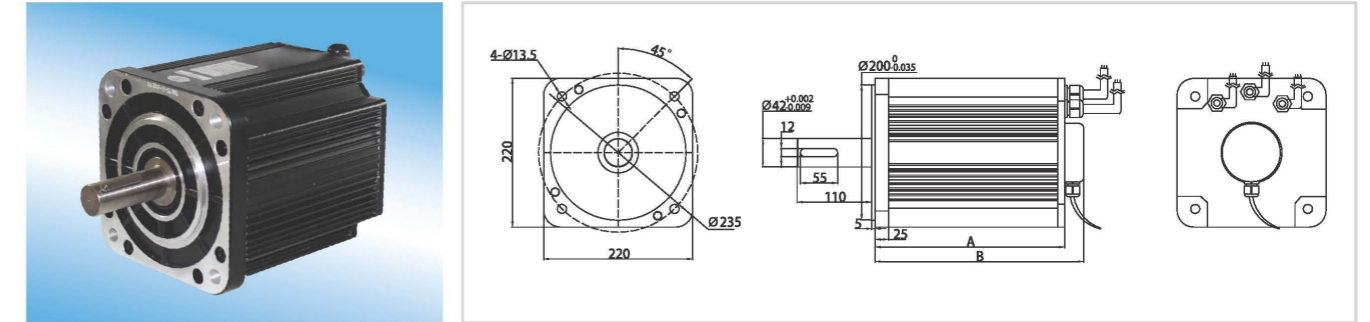
Model	Rated voltage (V)	Rated power (KW)	Rated torque (Nm)	Rated speed (RPM)	Rated electric current (A)	Instantaneous torque (Nm)	Maximum speed (RPM)	Maximum power (KW)	Electric potential (V/Krpm)
180WD-M12030-72V	72	3.8	12	3000	62	30	3600	9.4	20.0
180WD-M16010-72V	72	1.7	16	1000	27	42	1200	4.2	60.0
180WD-M16020-72V	72	3.4	16	2000	55	42	2400	8.4	30.0
180WD-M16030-72V	72	5.0	16	3000	82	42	3600	12.6	20.0
180WD-M25010-72V	72	2.6	25	1000	43	55	1200	6.5	60.0
180WD-M25020-72V	72	5.2	25	2000	86	55	2400	13.1	30.0
180WD-M25030-72V	72	7.9	25	3000	128	55	3600	19.6	20.0
180WD-M36010-72V	72	3.8	36	1000	62	70	1200	9.4	60.0
180WD-M36020-72V	72	7.5	36	2000	123	70	2400	18.8	30.0
180WD-M36030-72V	72	11.3	36	3000	185	70	3600	28.3	20.0
180WD-M50010-72V	72	5.2	50	1000	86	110	1200	13.1	60.0
180WD-M50020-72V	72	10.5	50	2000	171	110	2400	26.2	30.0
180WD-M12010-96V	96	1.3	12	1000	15	30	1200	3.1	80.0
180WD-M12020-96V	96	2.5	12	2000	31	30	2400	6.3	40.0
180WD-M12030-96V	96	3.8	12	3000	46	30	3600	9.4	26.7
180WD-M16010-96V	96	1.7	16	1000	21	42	1200	4.2	80.0
180WD-M16020-96V	96	3.4	16	2000	41	42	2400	8.4	40.0
180WD-M16030-96V	96	5.0	16	3000	62	42	3600	12.6	26.7
180WD-M25010-96V	96	2.6	25	1000	32	55	1200	6.5	80.0
180WD-M25020-96V	96	5.2	25	2000	64	55	2400	13.1	40.0
180WD-M25030-96V	96	7.9	25	3000	96	55	3600	19.6	26.7
180WD-M36010-96V	96	3.8	36	1000	46	70	1200	9.4	80.0
180WD-M36020-96V	96	7.5	36	2000	92	70	2400	18.8	40.0
180WD-M36030-96V	96	11.3	36	3000	139	70	3600	28.3	26.7
180WD-M50010-96V	96	5.2	50	1000	64	110	1200	13.1	80.0
180WD-M50020-96V	96	10.5	50	2000	128	110	2400	26.2	40.0
180WD-M50030-96V	96	15.7	50	3000	192	110	3600	39.3	26.7

Motor interface, Voltage, Speed can be customized.

### 220WD-M(1)

220WD-M(1) series dc brushless motor

Low voltage, high power, high efficiency



Model	Rated voltage (V)	Rated power (KW)	Rated torque (Nm)	Rated speed (RPM)	Rated electric current (A)	Instantaneous torque (Nm)	Maximum speed (RPM)	Maximum power (KW)	Electric potential (V/Krpm)
220WD-M20010-48V	48	2.1	20	1000	51	50	1200	5.2	40.0
220WD-M20025-48V	48	5.2	20	2500	128	50	3000	13.1	16.0
220WD-M30010-48V	48	3.1	30	1000	77	70	1200	7.9	40.0
220WD-M30025-48V	48	7.9	30	2500	192	70	3000	19.6	16.0
220WD-M40010-48V	48	4.2	40	1000	103	80	1200	10.5	40.0
220WD-M40025-48V	48	10.5	40	2500	257	80	3000	26.2	16.0
220WD-M60010-48V	48	6.3	60	1000	154	110	1200	15.7	40.0
220WD-M60025-48V	48	15.7	60	2500	385	110	3000	39.3	16.0
220WD-M20010-72V	72	2.1	20	1000	34	50	1200	5.2	60.0
220WD-M20025-72V	72	5.2	20	2500	86	50	3000	13.1	24.0
220WD-M30010-72V	72	3.1	30	1000	51	70	1200	7.9	60.0
220WD-M30025-72V	72	7.9	30	2500	128	70	3000	19.6	24.0
220WD-M40010-72V	72	4.2	40	1000	68	80	1200	10.5	60.0
220WD-M40025-72V	72	10.5	40	2500	171	80	3000	26.2	24.0

Motor interface, Voltage, Speed can be customized.